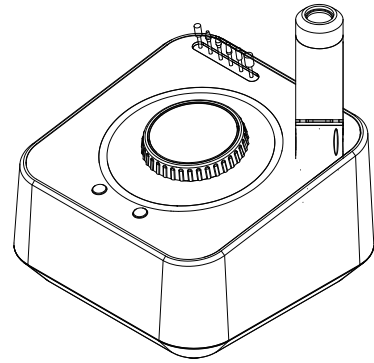
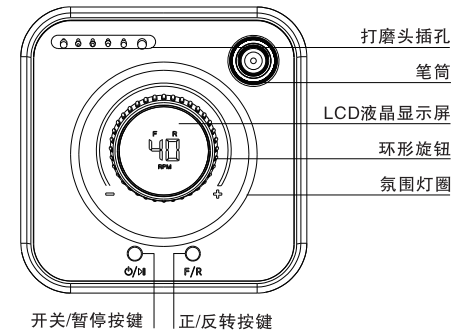
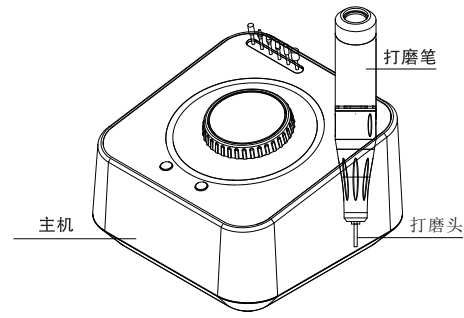


美甲打磨机 产品手册



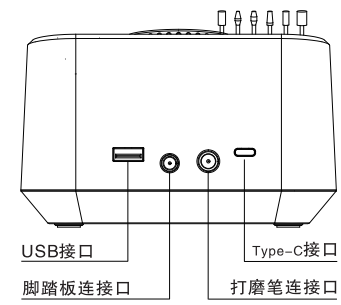
台式专业款

产品介绍



开关/暂停按钮 ON/OFF/P
正/反转按钮 F/R

产品介绍



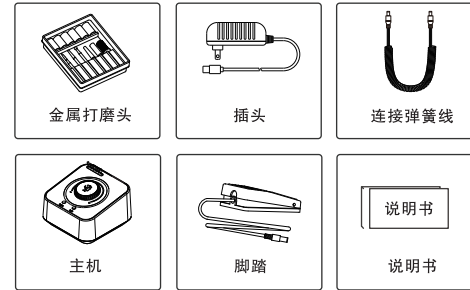
使用说明

按键说明:
开关键长按2S开关机,短按一下暂停。暂停时屏幕显示“P”重新开机自带有“记忆功能”恢复上次操作时使用的转速。正反转键是方向控制,短按一下切换正反转;开机默认正转;

灯光说明:
开机“00”档时灯光颜色变换闪烁;打磨工作时每段档位颜色变化闪烁;1-10档绿色,11-20档蓝色,21-30档红色,31-40档白色;

脚踏说明:
踩一下反转,在踩一下切换正转,长踩3S暂停。

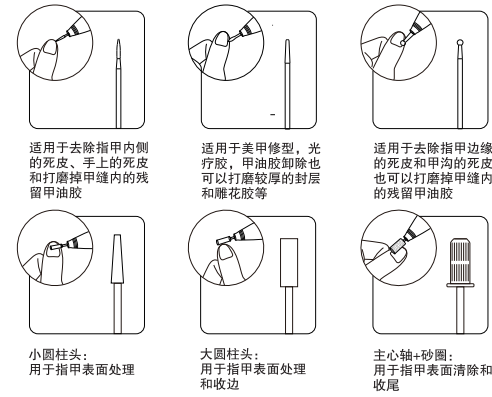
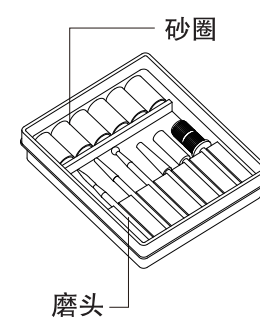
配件清单



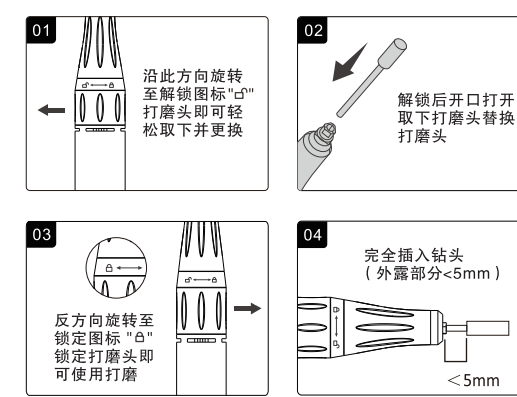
参数规格

尺寸	L:145mmx φ23mm
型号	UV-601
输入电压	24V 2A
电机电压	18V
转速	40000RPM
功率	48W
LED灯光	红/绿/蓝/白
使用环境	湿度: 10%~75%RH 温度: -10 ~50C

打磨头介绍



操作示图



合格证

产品名称 美甲打磨机
产品型号 UV-601
生产日期 见机身
检验员 QC PASS 09
企业执行标准 Q/YW 001-2022

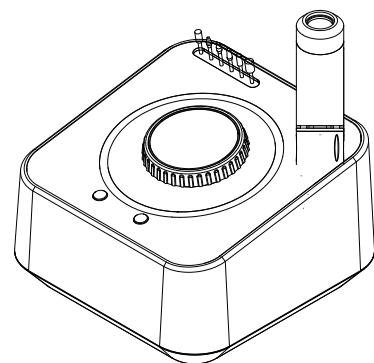
清洗及保养

清洁前,务必确保打磨机电路已关闭切勿带电操作

保修说明售后服务承诺:
严格按照《中华人民共和国产品质量法》《消费者权益保护法》实施三包服务服务内容如下:
1.自收到产品之日起7天内如果售后服务中心确认不会影响二次销售,可以执行退回和交换服务
2.自收到之日起15天内发生下列产品质量问题:机器无法开机、零件丢失、关键功能失效、外观严重损坏或非用户损坏,经售后中心检查确认后,可免费享受更新服务
3.自收到产品之日起365天内,发生产品质量问题,经售后服务中心检查确认后,可免费维修;
4.未经授权的产品拆卸不在保修范围内;
5.美甲打磨机属于电子产品,不能涉水、冲洗,如导致产品故障不包含三包维修服务内。
清洗提示:
每次使用后,使用医用酒精清洁钻头。定期清洁钻头以防生锈,保持指甲钻头远离尖锐物体以避免划伤

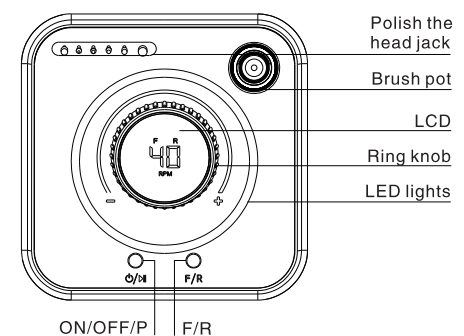
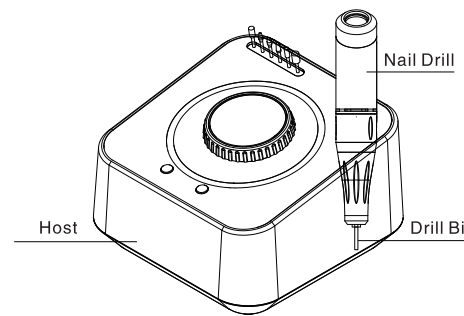
CE RoHS FC MADE IN CHINA

Nail Drill Product manual



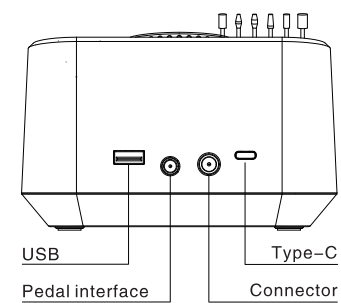
Desktop Professional

Product introduction



ON/OFF/P F/R

Product introduction



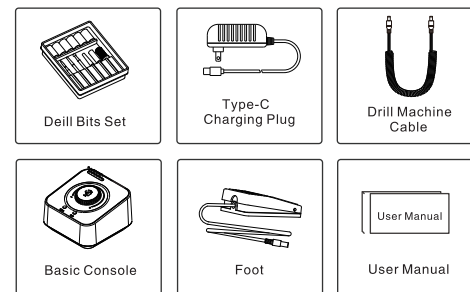
Directions for use

Key Description:
Long press the 2S switch on the switch button, and short press once to pause. The screen displays "P" during pause Restart the machine with its own "memory function" to restore the speed used during the last operation. The forward and reverse key is for direction control, short press to switch forward and reverse; the default forward rotation is turned on;

Light description:
When turning on "00", the light color changes and flashes; Polish the color of each gear when workingChange flicker; 1-10 green, 11-20 blue, 21-30 red, 31-40 grade white;

Foot instructions:
Press once to reverse, press once to switch forward, long press for 3S to pause.

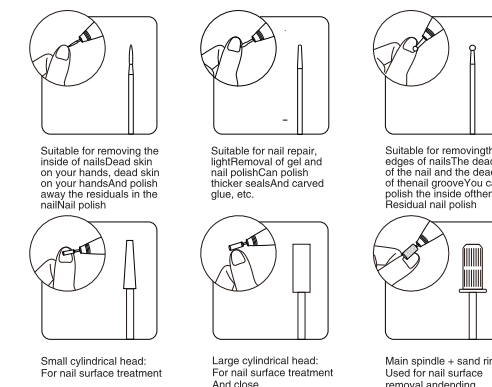
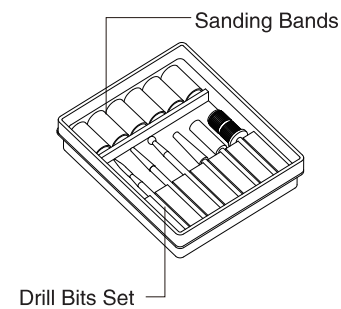
Accessories list



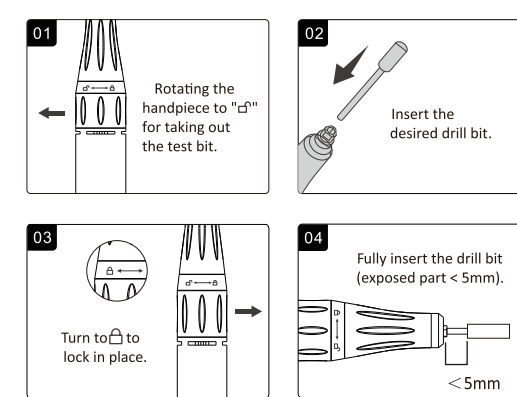
Specifications for

Size	L:145mmx φ23mm
Model	UV-601
Input voltage	24V 2A
Motor voltage	18V
RPM	40000RPM
Power	48W
LED	R/G/B/W
Operation Environment	Humidity:10%~75% RH Temperature: -10~50C

Grinding head



Operation diagram



Certificate

Product name Nail drill
Product model UV-601
Date of manufacture See fuselage
Inspector QC PASS 09
Enterprise executive standard No Q/YW 001-2022

Cleaning and warranty

Before cleaning, make sure that the road of the grinding machine is closedDo not operate with electric power

Warranty Description After-sales service commitment:
In strict accordance with the Product Quality Law of the People's Republic of China "Consumer rights and interests protection Law" implementation of after-sales services The service content is as follows:
1. Within 7 days from the date of receiving the product, if the after-sales service center confirms that no affecting secondary sales, return and exchange services can be performed
2. The following quality problems occur within 15 days from the date of receipt: machine failure to start up, missing parts, failure of key functions, severe external damageBad or non-user damage, after the sale of the center to check and confirm, freeEnjoy the update service
3. If a product quality problem occurs within 365 days upon receipt of the product, it can be repaired after being checked and confirmed by the service center after sale;
4. Unauthorized disassembly of the product is not covered by the warranty;
5. The nail polisher is an electronic product and cannot be washed or washed If the product fails, it is not included in the three-pack maintenance service.
Cleaning tips:
After each use, clean the bit with medical alcohol.Clean drill bit regularly to prevent dust and keep nail drill!Keep your head away from sharp objects to avoid scratches

CE RoHS FC MADE IN CHINA