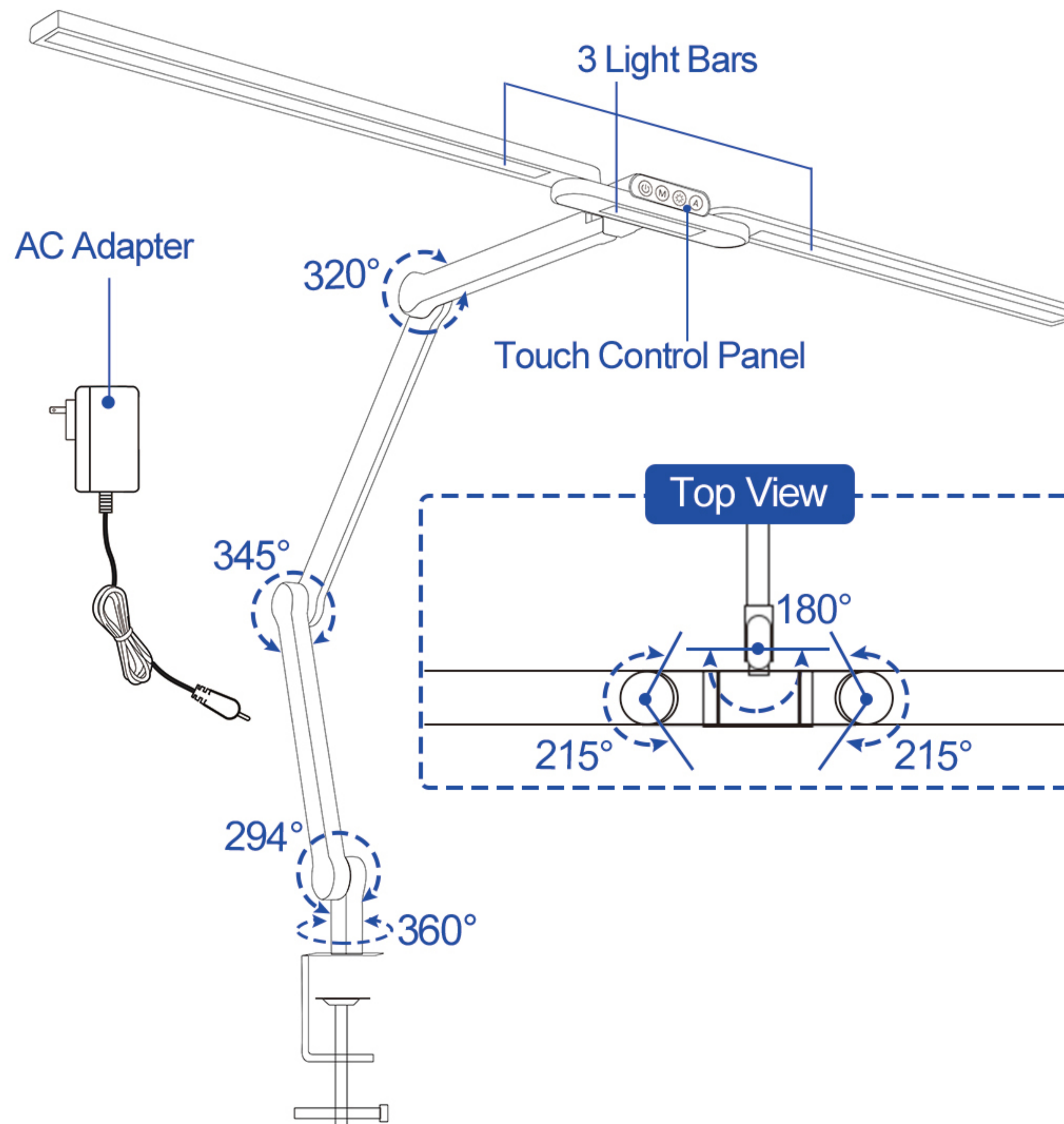


Welcome Guide

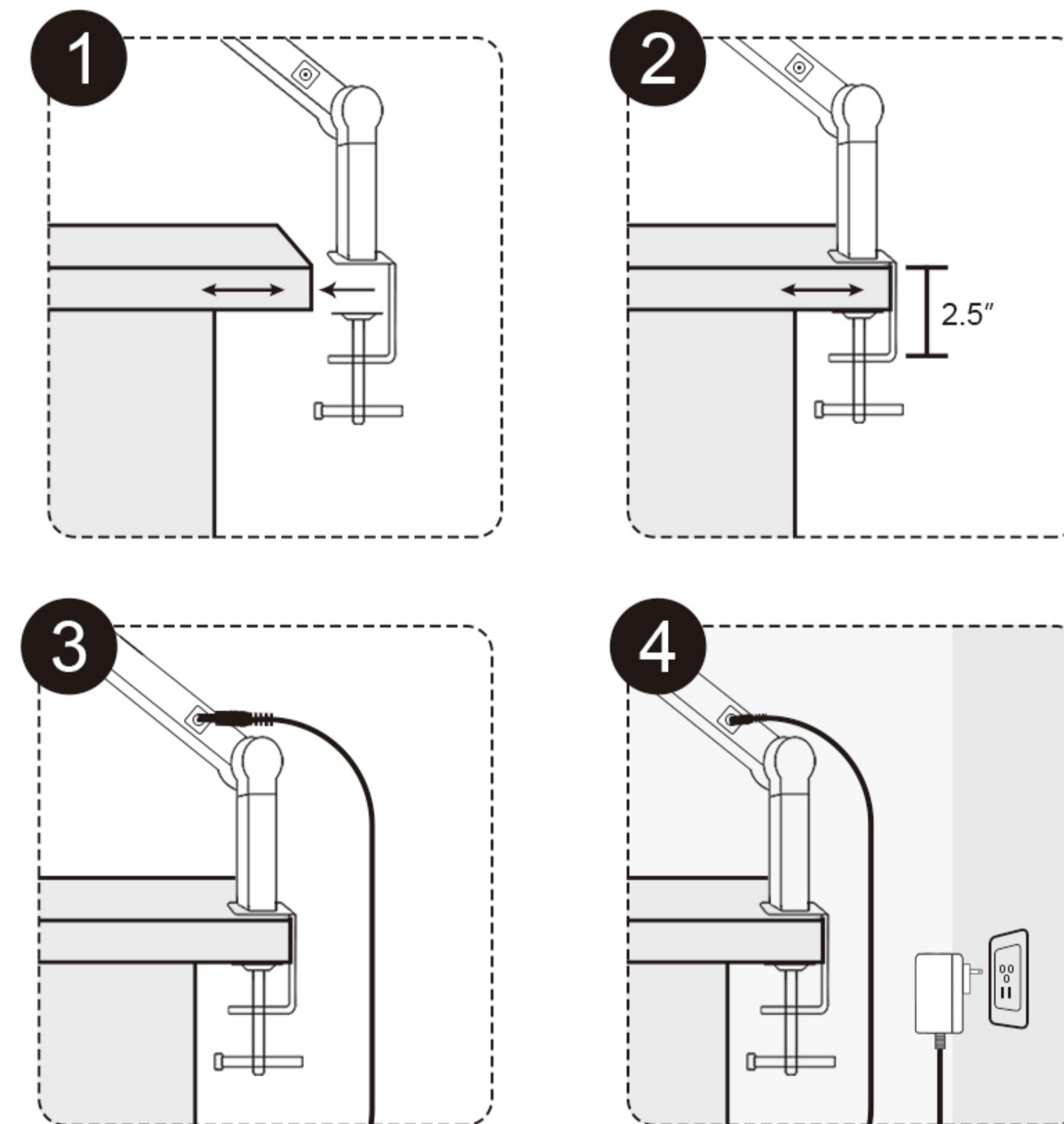
Desk Lamp

Flexible Rotatable Office Lamp



Installation Guide

1. Install the clip in a suitable area.
2. Attach the clamp to the edge of your desk and then firmly secure the screw. Tabletop thickness should not exceed 2.5"
3. Connect the supplied adapter to the desk lamp.
4. Plug the AC adapter into the power socket.



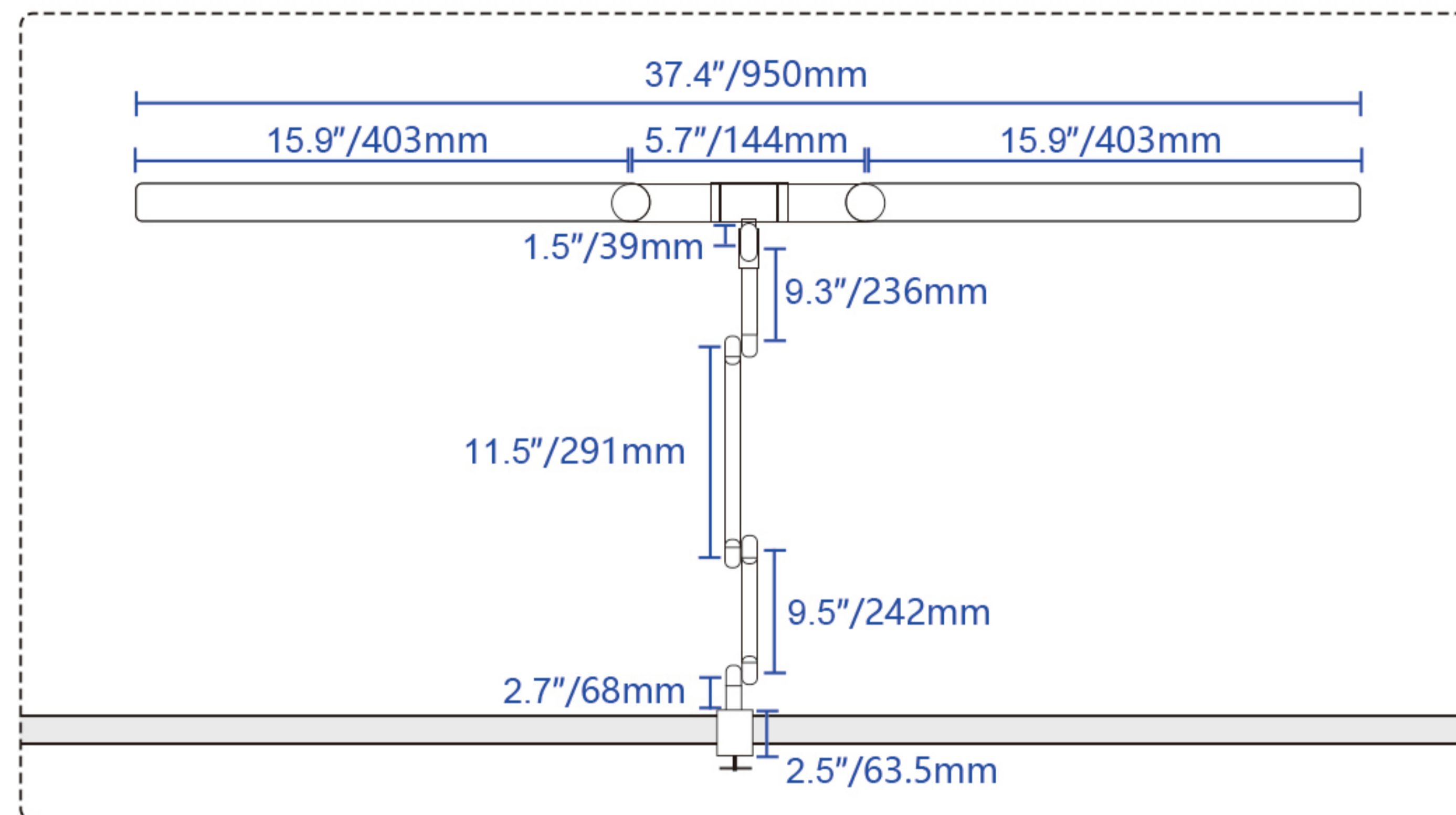
Touch Control Panel



	CLICK	Turn on/off
	CLICK	5 Levels of color temperature adjustment (3000K-3500K-4000K-5000K-6500K)
	Long press	Stepless Tempering(3000-6500K)
	CLICK	5 Brightness levels adjustment (20%-40%-60%-80%-100%)
	Long press	Stepless Dimming(20%-100%)
	CLICK	The light sensor will detect the surrounding light intensity and auto adjust the brightness.

	Ambient light sensor: The sensor receives ambient light and converts it into an electrical signal
	Automatic light-sensing function indicator : When the automatic light-sensing function is turned on, the blue indicator light will be on; when the automatic light-sensing function is turned off, the blue light will be off.

Lamp Size



Specifications

Model	FDDL04
Power	24W
CCT	3000K-6500K
Input	100-240V~50/60Hz
Output	24V1A

Attention

- 1.Keep the lamp away from heat sources.
- 2.Do not immerse appliance, cords or plugs in water or other liquid to avoid electric shock;
- 3.Do not look at the LEDs directly to avoid damage to eyes;
- 4.Please do not remove the power plug with wet hands as it may cause electrical shock;
- 5.Any repairs to this appliance should be carried out by a qualified service person;
- 6.Under no circumstances should this appliance be modified.