

→
EL3603
ELECTRIC GYNAECOLOGY
CHAIR



TECHNICAL FEATURES



Length:	185 cm
Width:	60 cm
Height:	64-106 cm
Weight:	85 kg
Max. Load:	225 kg
Motors:	2
Foam thickness:	5 cm
Density:	36 kg/m ³
Upholstery:	MED PVC ●

MOTOR FUNCTIONS



- Height (flat position): 64-106 cm
- Trendelenburg

MANUAL FUNCTIONS



- Backrest (0° to +65°) inclination by gas lift

INCLUDES



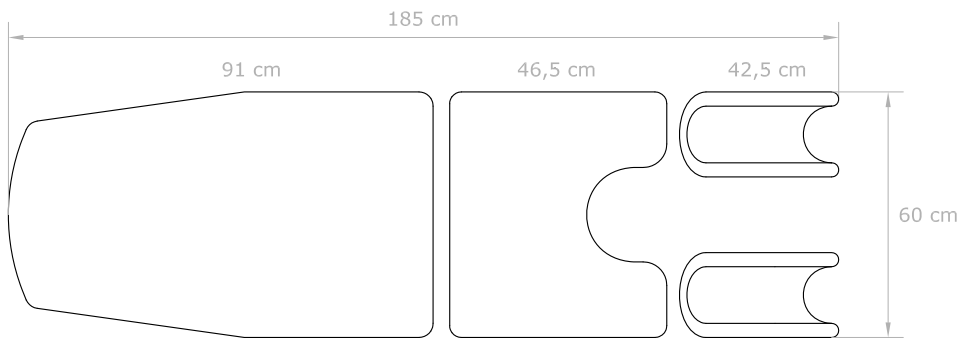
- Medical control box
- 2 Foot controllers
- 1 Extra third removable section
- 1 set of footrests and 1 set of leg supports for different gynaecological examinations
- 4 retractable big wheels system for easier movement

CERTIFICATIONS



- 93/42/EEC Medical Device Directive

→
EL3603
ELECTRIC GYNAECOLOGY
CHAIR



KG
max 225 kg

