

ALL IN ONE TAN.BOOOTH

EXTRACTION + SPRAY TAN MACHINE



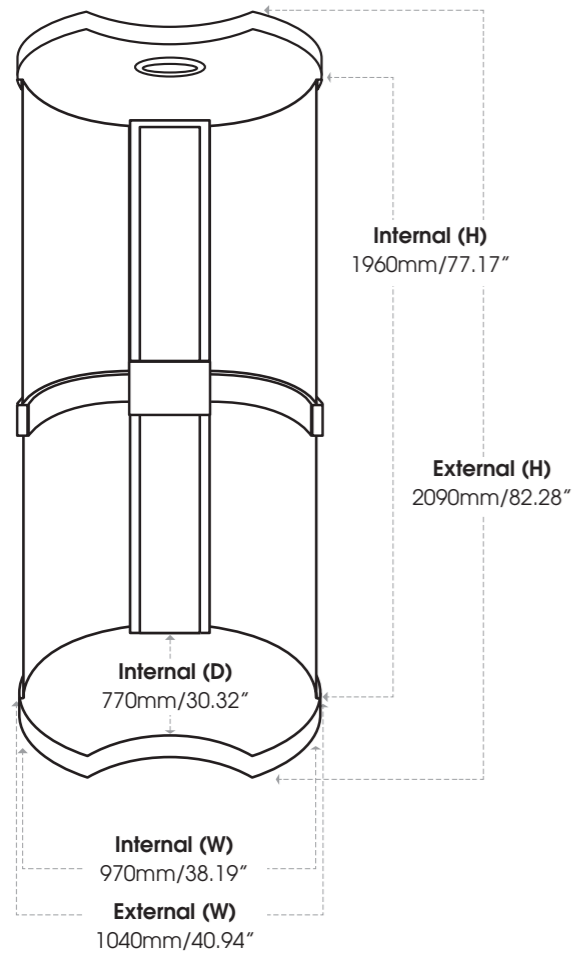
PRODUCT DATA & **ASSEMBLY GUIDE**

mine[®]
TAN.BODY.SKIN

ALL IN ONE TAN.BOOOTH

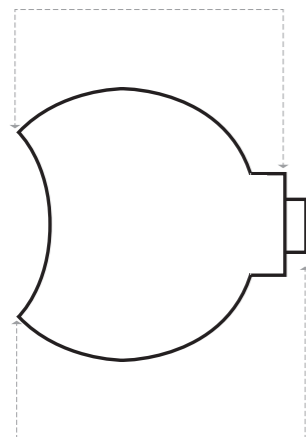
TECHNICAL SPECIFICATION & DIMENSIONS

FRONT VIEW



TOP VIEW

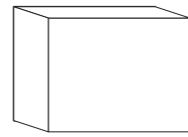
External Depth without Tan.Lite
1020mm/40.16"



External Depth without Tan.Lite
1120mm/44.10"

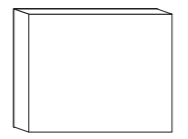
PACKAGING

Carton 1 - Top/Middle/Bottom



H: 1060mm / 41.73"
W: 1060mm / 41.73"
D: 320mm / 12.59"
Weight: 27kg / 59.52lb

Carton 2 - Side Panels



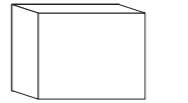
H: 1020mm / 40.15"
W: 770mm / 30.31"
D: 240mm / 9.45"
Weight: 15.7kg / 3 4.61lb

Carton 3 - Fans



H: 360mm / 14.17"
W: 1030mm / 40.55"
D: 340mm / 13.38"
Weight: 16.8kg / 37.03lb

Carton 4 - Tan.Lite - All.In.One. Booth Configuration Only



H: 188mm/7.4"
W: 372mm/14.6"
D: 340mm/13.3"
Weight: 4kg/8.82lb

OTHER DATA

TECHNICAL

- Booth Net Weight (without packaging): 46kg/101.41lb
- Booth Extraction Fan Speed: 2700RPM/fan (4Fans)
- Noise of Booth (excluding the Tan.Lite) (db): 62db
- Noise of Booth (with Tan.Lite) (db): 69db
- Motor Speed of Tan.Lite (RPM): 3200RPM
- Extraction Airflow: 2080 m3/hour

ELECTRICAL

- Wattage of LED Booth (without Tan.Lite): 200W
- Wattage of LED Booth (with Tan.Lite): 850W
- 220-240V Ampage of LED Booth (without Tan.Lite): 1A
- 220-240V Ampage of LED Booth (with Tan.Lite): 3.5A
- 110-120V Ampage of LED Booth (without Tan.Lite): 2A
- 110-120V Ampage of LED Booth (with Tan.Lite): 7A
- Top LED Lumens: 1200LM
- Top LED wattage: 15W
- Side LED Strip Lumens: 2880LM
- Side LED Strip Wattage: 28W

MATERIALS

- Material of Side Panels: ABS
- Materials of Fans: PVC+ABS
- Material of Bottom and Top: ABS

ALL IN ONE TAN.BOOOTH

COMPONENTS LIST

QTY PARTS

1	Base
1	Top with LED Light
2	Double Fans
1	Middle with LED Lights
1	Centre Fan Joint
2	Bottom Side Panels
2	Top side Panels
20	Screws
20	Washers
1	Power Cord (a)
3	Connecting Cords (b, c, d)
1	Tan.Lite 32000

IMPORTANT: Requires 2 people to assemble safely and a phillips/cross slot screwdriver or drill bit.



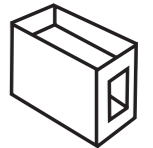
1 x Power Cord (a)



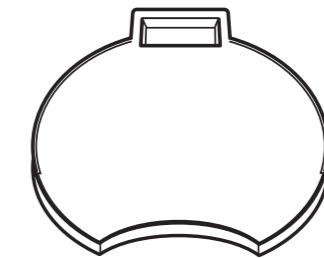
3 x Connecting Cords (b,c,d)



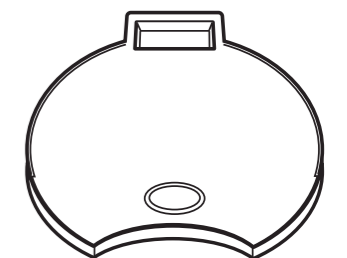
1 x Middle



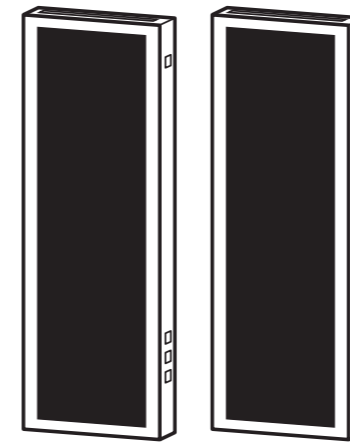
1 x Centre Joint



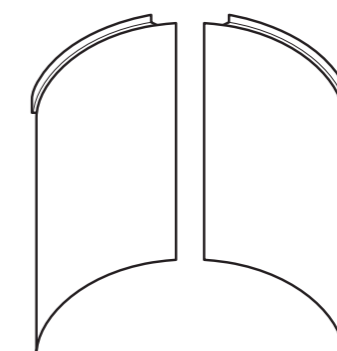
1 x Base



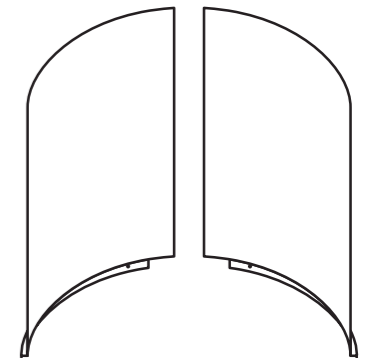
1 x Top



2 x Double Fans



2 x Top Side Panels



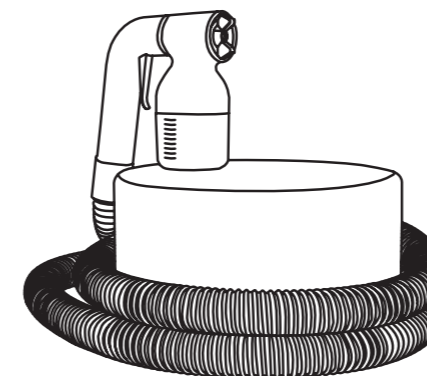
2 x Bottom Side Panels



20 x Washers



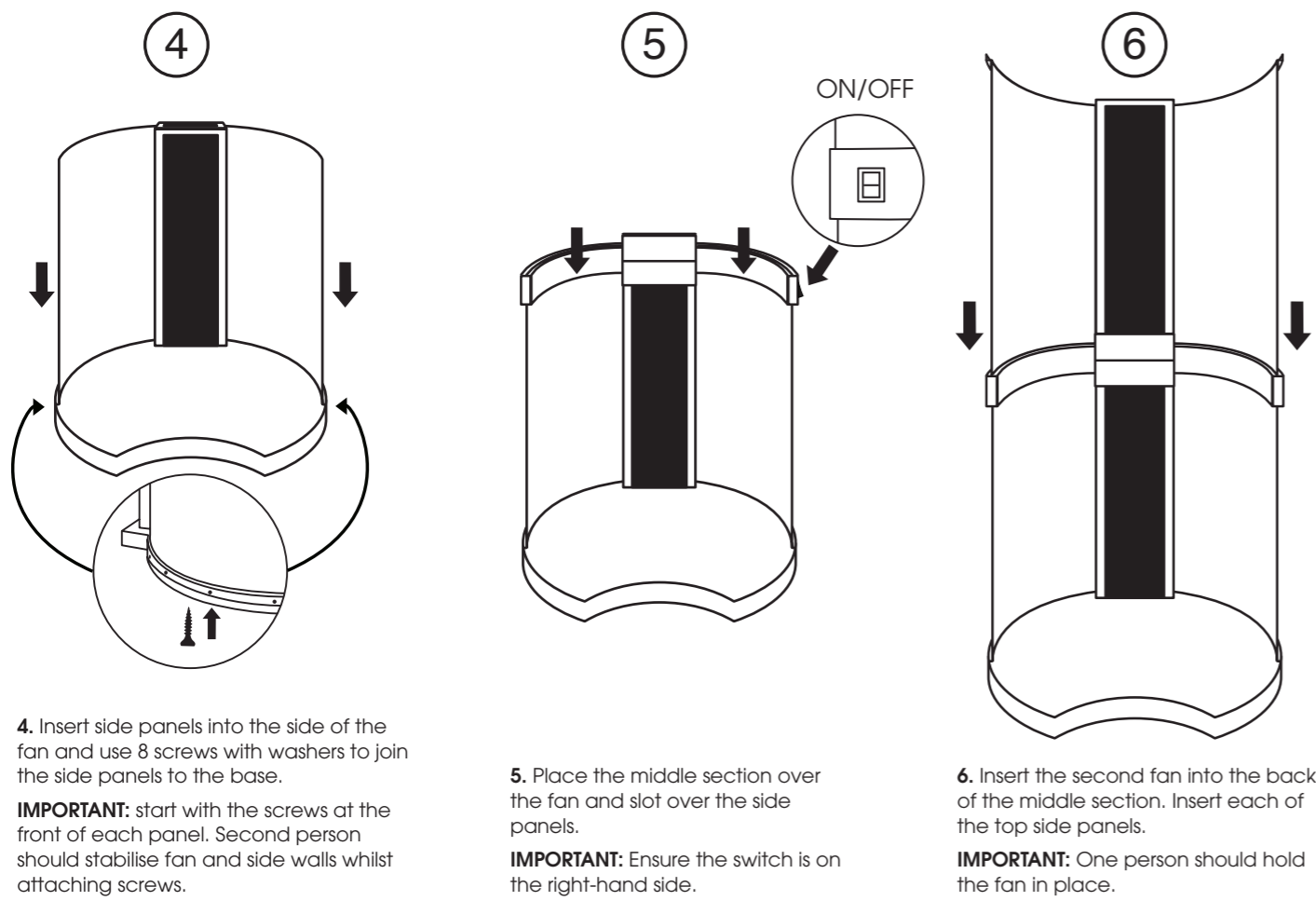
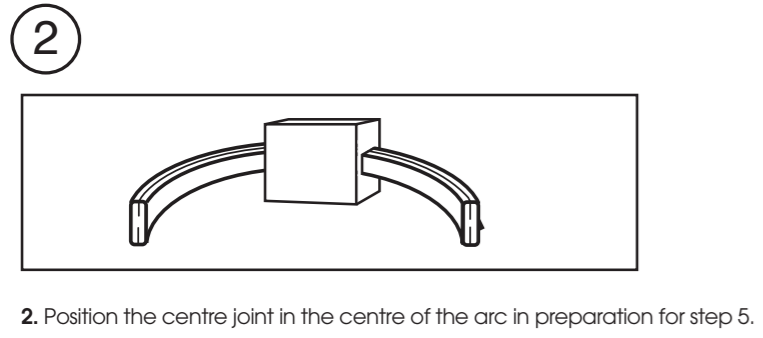
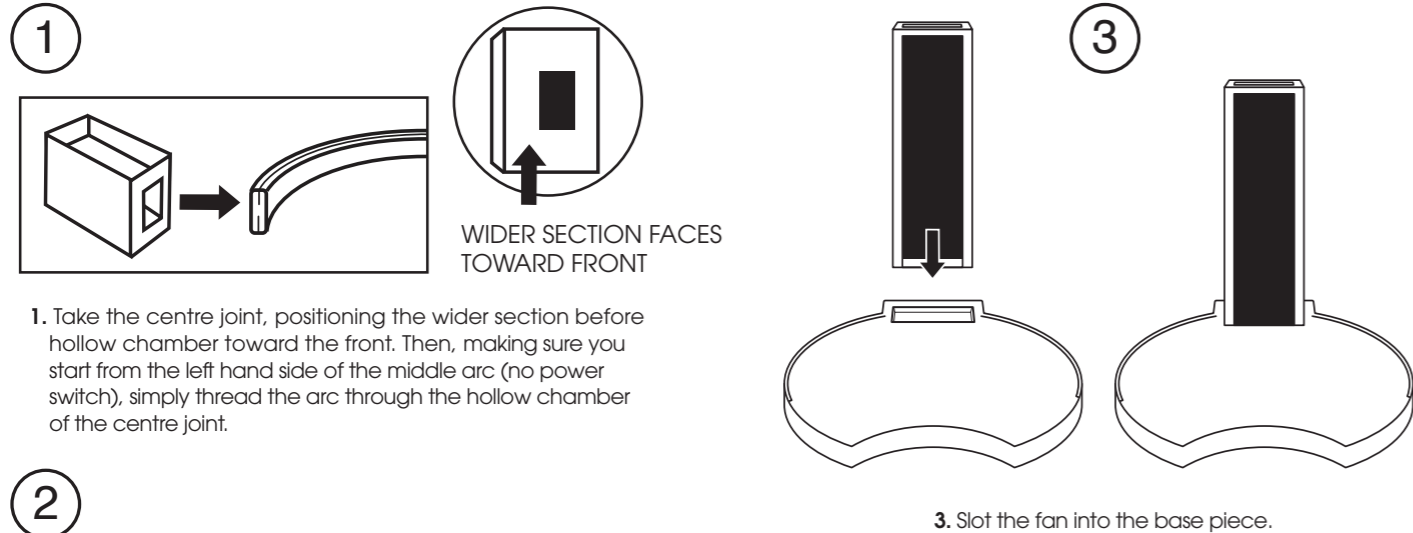
20 x Screws



1 x Tan.Lite 32000 Spray Tan Machine
(With All.In.One Booth.Tan only - excluded from
Extraction Booth configuration)

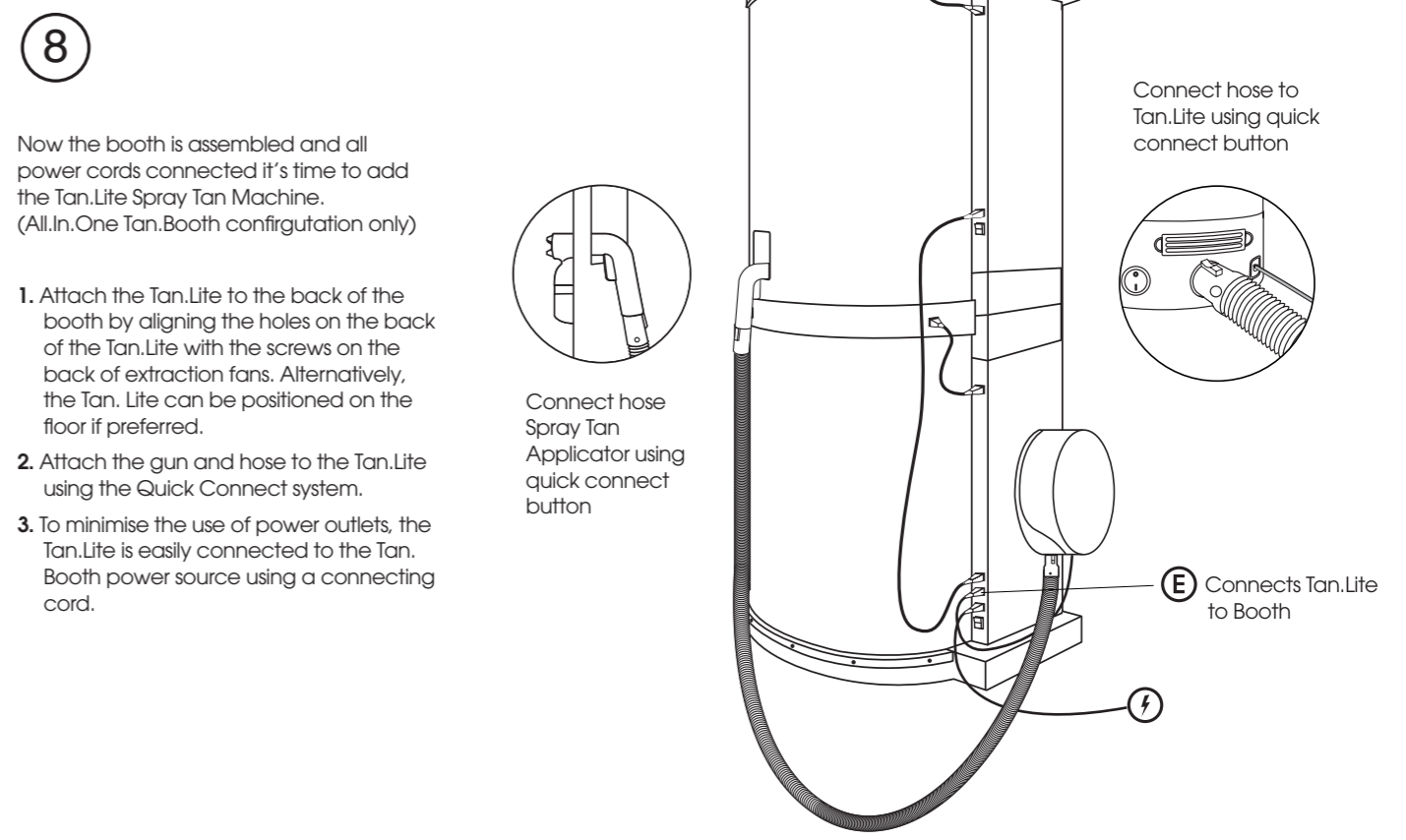
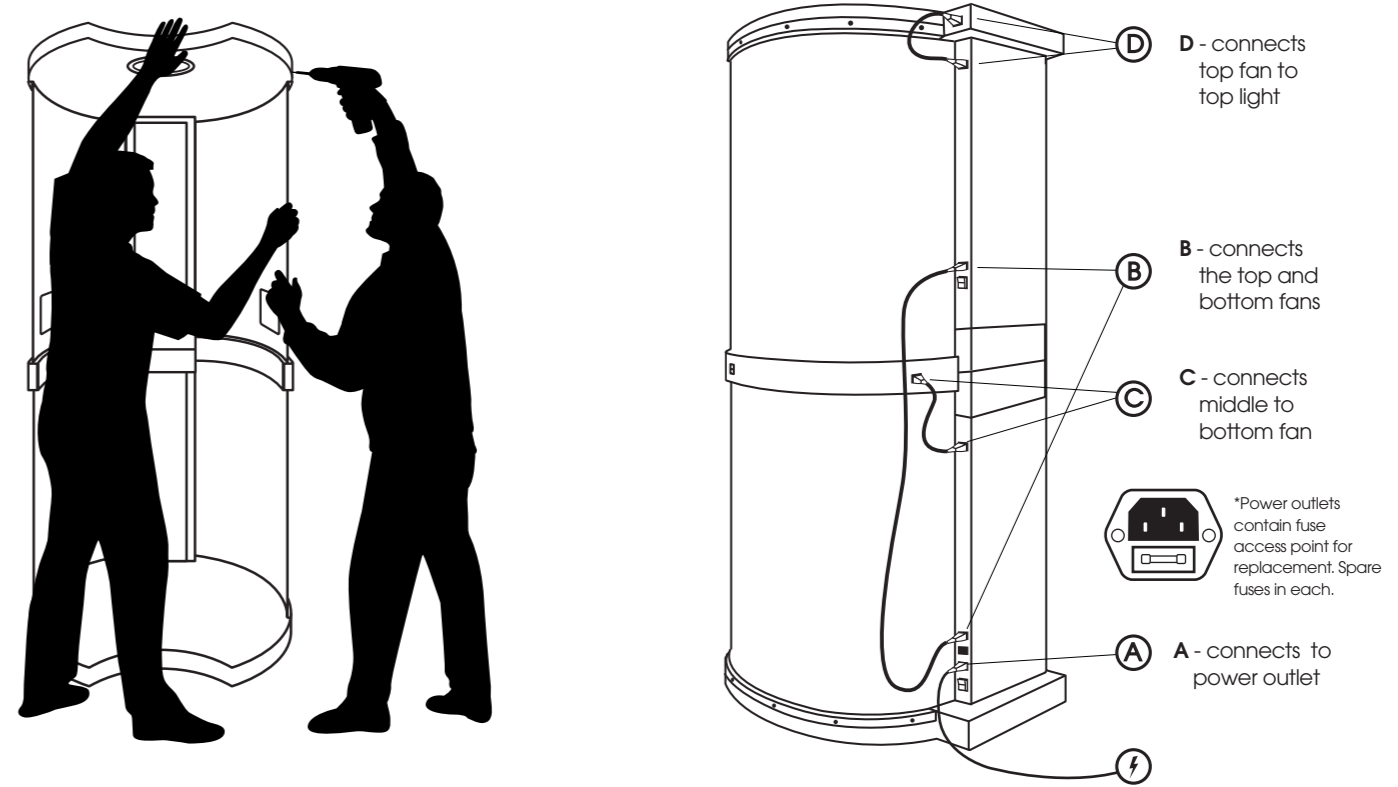
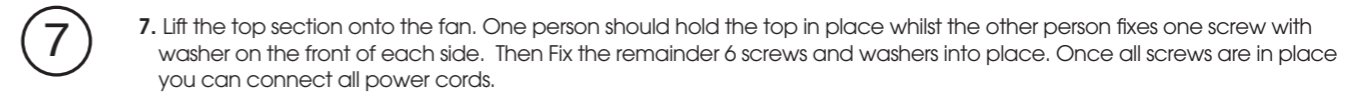
ALL IN ONE TAN.BOOOTH

ASSEMBLY INSTRUCTIONS



ALL IN ONE TAN.BOOOTH

ASSEMBLY INSTRUCTIONS



ALL IN ONE TAN.BOOOTH

⚠ WARNING & SAFETY

SALON REQUIREMENTS CHECKLIST

- Unload Booth Shipment:** Appropriate personnel (no less than two) available to unload shipment from freight truck.
- Dedicated Room or Appropriate Floorspace:** Floor Space must be a minimum of 1.3m/51". Ceiling height minimum of 2.1m/82.6". Room must be easily accessible.
- Installation Tools and Personnel:** Booth is best set up by two people and requires a phillips head screwdriver or drill bit if using a drill gun.

IMPORTANT SAFETY PRECAUTIONS

Before using the All.in.One Tan.Booth, read all instructions and cautionary markings in this manual and on the device. When using an electrical appliance, basic precautions should always be followed, including the following:

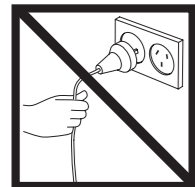
WARNING

TO REDUCE THE RISK OF FIRE, ELECTRIC SHOCK, OR INJURY:

1. Do not leave product unattended when plugged in. Unplug from outlet when not in use and before servicing.
2. Do not use outdoors or on wet surfaces.
3. Do not allow to be used as a toy. Close attention is necessary when used by or near children.
3. This product is not intended for use by persons (including children) with reduced physical, sensory or mental capabilities, or lack of experience and knowledge, unless they have been given supervision or instruction concerning use of the appliance by a person responsible for their safety.
4. Use this device only for its intended function and do not use attachments not recommended by the authorized MineTan manufacturer.
5. Do not use the device if the cord is damaged. In the event of damage discontinue use immediately. If the supply cord is damaged, it must be replaced by the authorized MineTan manufacturer.
6. If device is not working as it should, has been dropped, damaged, left outdoors, or dropped into water, do not use, contact MineTan Customer Care via the website or regional telephone number.
7. Do not pull or carry by cable, use cable as a handle, close a door on cable, or pull cable around sharp edges or corners. Keep cable away from heated surfaces.
8. Do not unplug by pulling on cable. To unplug, grasp the plug, not the cable.
9. Do not handle plug with wet hands.
10. Do not put any object into openings. Do not use with any opening blocked; keep free of dust, lint, hair, and anything that may reduce air flow. Switch off and unplug the product before attempting to remove any blockage.
11. Turn off all controls before unplugging.
12. Do not spray flammable or combustible liquids, such as gasoline, or use in areas where they may be present.
13. Do not use without the filter in place.
14. Never look directly into the airflow when device is in use.
15. Do not use an extension cord unless the cord complies with local regional electrical safety standards
16. Periodically inspect the power cord for signs of damage

SAVE THESE INSTRUCTIONS

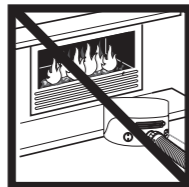
This product is intended for professional use only.



Do not pull on cable



Do not submerge in water or get wet



Do not use near open flames



ALL IN ONE TAN.BOOOTH

WARRANTY & GUARANTEE

MINETAN GUARANTEE

1 YEAR TROUBLE FREE WARRANTY

Congratulations on your purchase. We trust you will be happy with your purchase as the products are designed to give you many years of service. To activate your Guarantee, please complete the information within 30 days of purchase. This form has details of our guarantee terms & conditions so please read it carefully, fill it in and return it to the address at the back of this manual. Alternatively you can register online at minetanbodyskin.com. Keep this form, with your original proof of purchase for any claim under guarantee. If you have any queries or require further information on your product please contact your local representative of Minetan Pro Tools Products.

TO REGISTER YOUR EQUIPMENT OR LODGE A WARRANTY CLAIM PLEASE VISIT MINETANBODYSKIN.COM/WARRANTY/

TERMS & CONDITIONS

If within one (1) year from the date of purchase, the product fails due to a defect in material or workmanship, we will repair if possible or replace it free of charge with a comparable unit, which may be new or refurbished. This guarantee applies only to the original purchaser and is not transferable. The goods must be returned to the seller with proof of purchase to be assessed at the purchasers cost. Prior to making a claim, please ensure you have read all trouble-shooting questions at minetanbodyskin.com. If there is a defect with the device, it will be replaced free of charge with a comparable unit. Guarantee shall not apply to any defect, failure or damage caused by improper use or improper or inadequate maintenance and care. The manufacturer shall not be obligated under this guarantee:

1. To repair damage resulting from attempts by personnel other than authorized representatives to install, repair or service the product.
2. To repair damage, malfunction, or degradation of performance resulting from improper use or incompatible solution.
3. To perform maintenance or cleaning or to repair damage, malfunction, or degradation of performance resulting from failure to perform user maintenance and cleaning as prescribed.
4. To repair damage, malfunction, or degradation of performance resulting from use of the product in an environment not meeting the operating specifications.

mine[®]
TAN.BODY.SKIN

© 2019 Mine. All rights reserved.

MarqLabs, 291 Edgewood Street, Alexandria, TN, 37012

Email: brands@marqgroup.com **Phone:** AUST: 1300 819 331 USA: 1800 914 3880 EU/UK: +31 (0) 2023 74700
minetanbodyskin.com